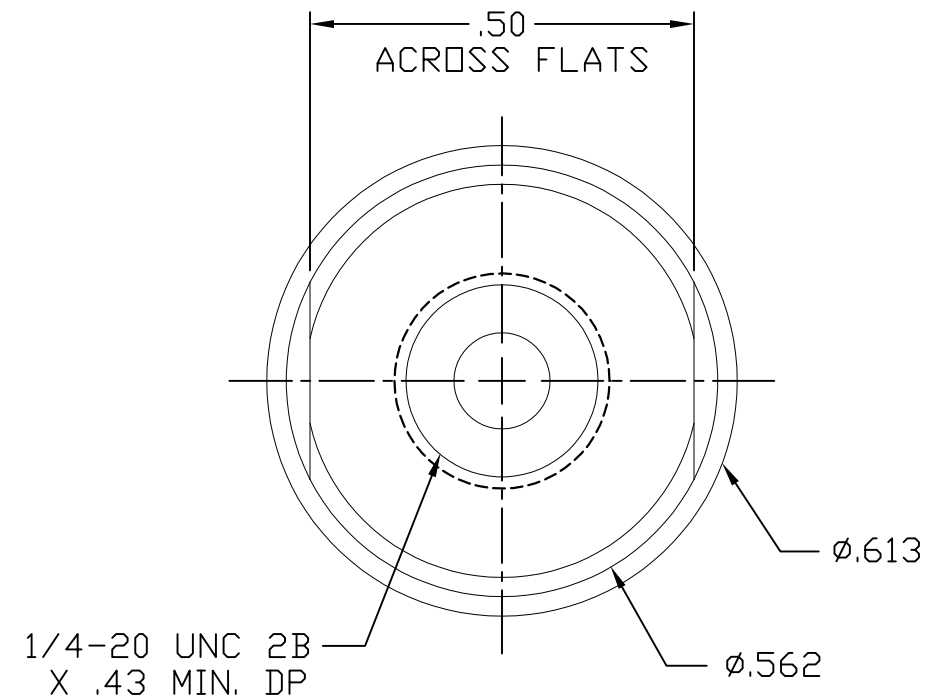
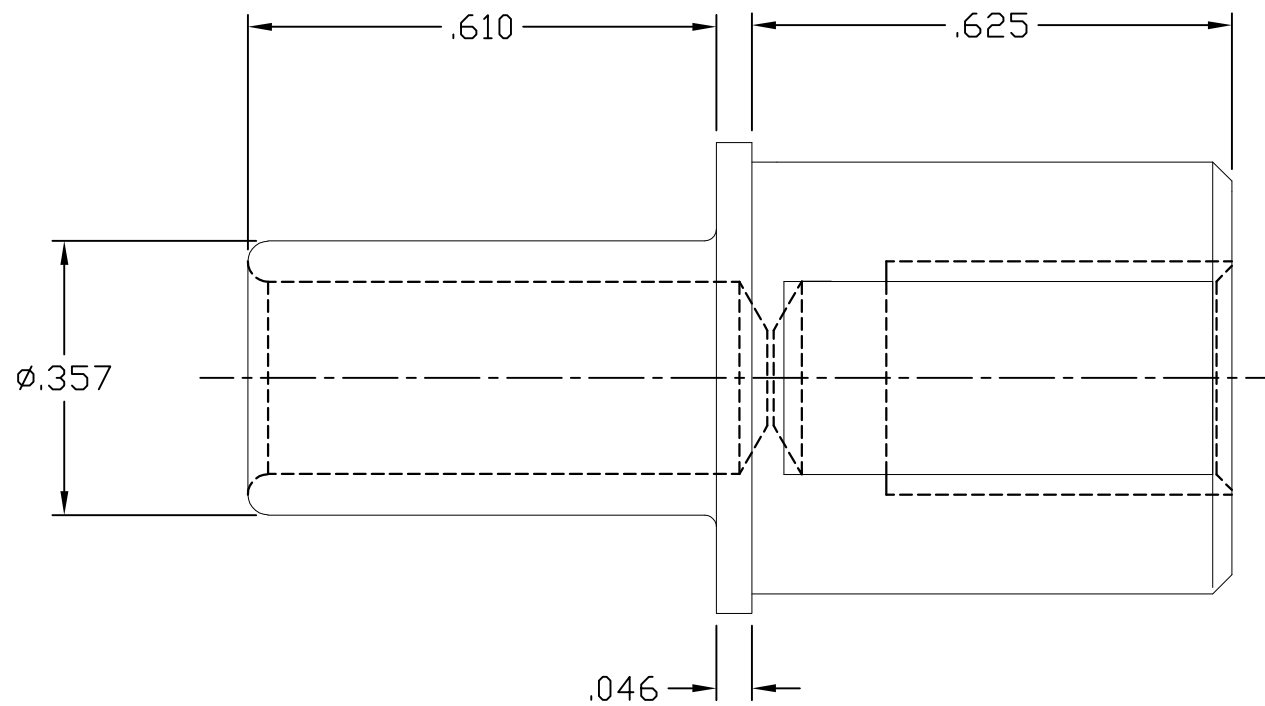


THIS DRAWING IS UNPUBLISHED. RELEASED FOR PUBLICATION  
 © COPYRIGHT BY TYCO ELECTRONICS CORPORATION. ALL RIGHTS RESERVED.

LOC	DIST	REVISIONS					
GP	00	P	LTR	DESCRIPTION	DATE	DWN	APVD
			B	REV PER ECO-08-000391	8JAN2008	RG	DO



1. PART NUMBER CHANGES AND OR DESIGN CHANGES AFFECTING ITEM INTERCHANGEABILITY REQUIRE PRIOR TYCO ELECTRONICS APPROVAL AND AUTHORIZATION BY REVISION TO THIS DRAWING.

2. MATERIAL:  
 PIN CONTACT: COPPER ALLOY.

3. FINISHES:  
 PIN CONTACT: SILVER PLATE, .000200 MIN THICK  
 OVER NICKEL, .000050 MIN THICK

AS SHOWN	1766269-1
DESCRIPTION	PART NUMBER

THIS DRAWING IS A CONTROLLED DOCUMENT.		DWN	08JAN2008	Tyco Electronics Corporation	
		CHK	RFA/GRZYBOWSKI	Harrisburg, PA 17105-3608	
DIMENSIONS: INCHES		APVD	8JAN2008	NAME	
TOLERANCES UNLESS OTHERWISE SPECIFIED:		PRODUCT SPEC	CHAU/FLICKINGER	CONTACT, PIN, SIZE No. 0	
0 PLC ± -		APPLICATION SPEC	-	1/4-20 INT.TH.D., DOUBLE CROWN DRAWERS	
1 PLC ± -		WEIGHT	-	SIZE	RESTRICTED TO
2 PLC ± .02		CUSTOMER DRAWING		A3	-
3 PLC ± .010		SCALE	4:1	CAGE CODE	1766269
4 PLC ± -		SHEET	1 OF 1	DRAWING NO	REV
ANGLES ± .5		FINISH	-	REV	B
MATERIAL	-				